

ESCO POWER

GENERATING SOLUTIONS

Empowering people.
Exceptional services.
Delivering on promises.



ESCO GROUP AUTOMATION
ELECTRIC
POWER
Turning SOLUTIONS into Reality™

ESCO POWER

Generating Solutions

The name may sound new, but the expertise is deep-rooted and seasoned. At ESCO Power, a new business unit of ESCO Group, our department leads have over 150 years of combined experience, giving our clients the benefit of their knowledge and composure.

ESCO Power generates solutions through arc flash hazard analysis, data collection, electrical and safety audits, testing support, green initiatives, bid packages, turnkey design packages, power quality & energy management, and much more. As a relative of ESCO Group, ESCO Power has the resources and financial backing of a company that has over 50 years of business experience, leaving no room for insufficiency. Keeping your plant on the grid through safety planning and education, testing and preventative procedures is what ESCO is all about.

Let us help you stay compliant

When you work with ESCO, you are working with a company that forms strong relationships with our clients which gives us in-depth knowledge of your systems, what your needs are, and how your process operates. It's a partnership approach, meaning we partner with our clients and become an integral part of their team.

Staying compliant with OSHA and NFPA 70E standards is an important accomplishment for every company. ESCO Power will help you educate and inform your employees of the inherent hazards onsite, and we will engineer solutions to bring your risk down. Compliance means continually informing your people in:

- OSHA 29 Code of Federal Regulations (CFR)
- Part 1910 Subpart S 1910.335(a)(1)(i)
- Part 1910 Subpart I 1910.132(d)(1)
- NFPA 70 (NEC)

ESCO Power can help!

Arc Flash Incident Energy Analysis

To determine the potential arc flash associated with exposed energized circuits, an Arc Flash Incident Energy Analysis is required. To perform an analysis we complete the following:

- Short Circuit/Fault Current Studies and Calculations
- Protective Device Coordination Studies
- Arc Flash Incident Energy Analysis and Calculations
- Arc Flash Signage Implementation

Field Team

Our field team will perform the arc flash label installation and the arc flash data collection.

Other services we provide are:

- Data Collection
- Infrared Field Work
- Plant Electrical and Safety Audits
- Electrical Testing Support
- Facility Maintenance Planning for Electrical Equipment
- Grounding Studies



SOLUTIONS

Electrical and Power Design

Our team takes the time to discuss the project in order to truly understand the intent and goals for the job. In addition, by doing an overall site/project assessment, we develop a progressive plan to generate the most cost-effective solutions. Below is a list of services we offer through our experienced and dedicated staff:

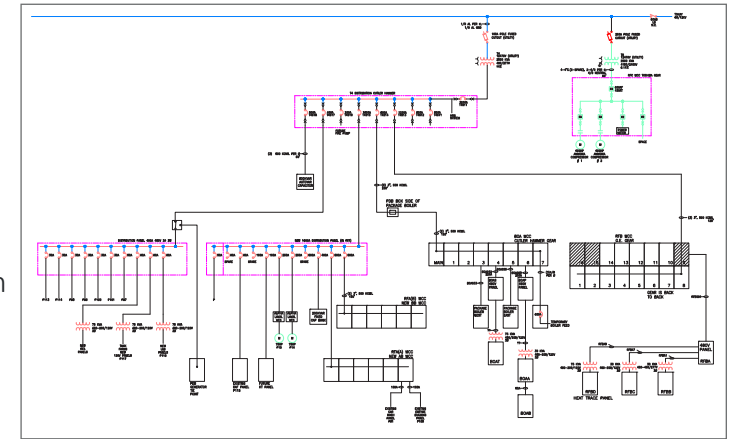
- Design Build Documents
- Design-Bid Build Documents
- Turnkey Design Packages (PE Stamped)
- Project Phase Assembly — budget assistance for clients that use this system and organize for submittal to corporate
- Plant One Lines (Power)
- Power Quality and Energy Management
- Green Initiatives
- Backup Generator Design
- Bid Packages

Power Drafting

ESCO has a strong power drafting team that works as an integral part throughout the company. Our electrical designers are experienced in various versions of AutoCAD and AutoCAD electrical software packages. With our designs your company will find the most practical solution for any system.

As part of ESCO Power, our designers draft:

- Power System Facility One Lines
- Facility Maps
- Room Layouts
- Elevation Drawings
- Additions to 3D Models



Electrical Safety Training

ESCO Safety provides a cost-effective approach to all of your safety training and program development needs. Our lead safety trainer is a current principal member of the NFPA 70E Electrical Safety in the Workplace Committee, NECA's Codes and Standards Committee, and the IEEE Electrical Safety Committee.

Our safety team provides:

- Electrical Safety Training — onsite or at ESCO's headquarters, tailored to our client's needs and best practices
- Written Program Development — new or updated programs
- Comprehensive Facility and Jobsite Audits
- Lockout/Tagout Specific Procedures
- Client Compliance with OSHA and NFPA 70E Industry Standards



Turning SOLUTIONS into Reality

ESCO Power is a member of ESCO Group, a versatile company that supplies services in plant automation, electrical construction, engineering, electrical design, and safety training. From consultation to turnkey projects, ESCO will generate effective solutions in the AEI (Automation, Electrical, Instrumentation) fields.

Corporate Headquarters
3450 Third Street
P.O. Box 708
Marion, Iowa 52302
(319) 377-6655 phone
(319) 377-9532 fax

4905 Hubbell Avenue
Suite 2
Des Moines, Iowa 50317
(515) 263-8482 phone
(515) 263-2773 fax

357 S. McCaslin Blvd.
Suite 200
Louisville, Colorado 80027
(303) 734-7144 phone
(720) 874-9709 fax

550 Congressional Blvd
Suite 115
Carmel, Indiana 46032
(317) 343-4486 phone

950 South Tenth Street
Suite 11
Omaha, Nebraska 68108
(402) 807-9444 phone

5377 State HWY N
Suite 217
Cottleville, Missouri 63304
(319) 784-7652 phone

Email us at
sales@ESCO.Group

ESCO'S Subject Matter Experts: ESCO Power



Doug Yates
Business Unit Manager/Shareholder
Marion, Iowa Office
DougYates@theESCOGroup.com



Randy Hummel
Manager, Arc Flash Services
Marion, Iowa Office
RandyHummel@theESCOGroup.com



Kelly Towell
Division Mgr,
Electrical & Power Design
Marion, Iowa Office
KellyTowell@theESCOGroup.com



Mike Sampson
Manager, Field Technician
Marion, Iowa Office
MikeSampson@theESCOGroup.com



Jason Wolf, CSP, CEM
Manager, Safety Training
Marion, Iowa Office
JasonWolf@theESCOGroup.com