



ESCO POWER & SAFETY

PROVIDING SOLUTIONS

Empowering people.
Exceptional services.
Delivering on promises.



Providing Solutions

The name may sound new, but the expertise is deep-rooted and seasoned. With ESCO Power & Safety, a new business unit of ESCO Group, our department leads have over 150 years of combined experience, giving our clients the benefit of their knowledge and proficiency.

ESCO Power & Safety provides solutions through arc flash hazard analysis, electrical engineering, data collection, electrical and safety audits, testing support, bid packages, turnkey design packages, power quality & energy management, and much more. As a relative of ESCO Group, ESCO P&S has the resources and financial backing of a company that has over 50 years of business experience with nationwide staffing. Keeping your plant operational through safety planning and education, testing and preventative procedures is what ESCO is all about.

Let us help you stay compliant

When you work with ESCO, you are working with a company that forms strong relationships with our clients which gives us in-depth knowledge of your systems, what your needs are, and how your process operates. It's a partnership approach, meaning we partner with our clients and become an integral part of their team.

Staying compliant with OSHA\NFPA 70E & NFPA 70B standards is an important accomplishment for every company. ESCO P&S will help you educate and inform your employees of the inherent hazards onsite, and we will engineer solutions to bring your risk down. Compliance means continually informing your people in:

- OSHA 29 Code of Federal Regulations (CFR)
- Part 1910 Subpart S 1910.335(a)(1)(i)
- Part 1910 Subpart I 1910.132(d)(1)
- NFPA 70E
- NFPA 70B

ESCO Power & Safety Solutions can help!

Arc Flash Incident Energy Analysis

To determine the potential arc flash associated with exposed energized circuits, an Arc Flash Incident Energy Analysis is required. To perform an analysis we complete the following:

- Short Circuit/Fault Current Studies and Calculations
- Protective Device Coordination Studies
- Arc Flash Incident Energy Analysis and Calculations
- Arc Flash Signage Implementation
- Load Flow Studies
- Equipment Evaluation

Field Team

Our field team will perform the arc flash label installation and the arc flash data collection.

Other services we provide include:

- Data Collection/Arc Flash
- Infrared Field Work
- Plant Electrical and Safety Audits
- Electrical Testing Support
- Grounding Studies
- Ultrasonic Emission Testing Air & Electric
- NFPA 70B Planning for Electrical Equipment Maintenance



SOLUTIONS

Electrical Engineering

Our team takes the time to discuss your project in order to truly understand the intent and goals for the job. In addition, by doing an overall site/project assessment, we develop a progressive plan to generate the most cost-effective solutions. Below is a list of services we offer through our experienced and dedicated staff:

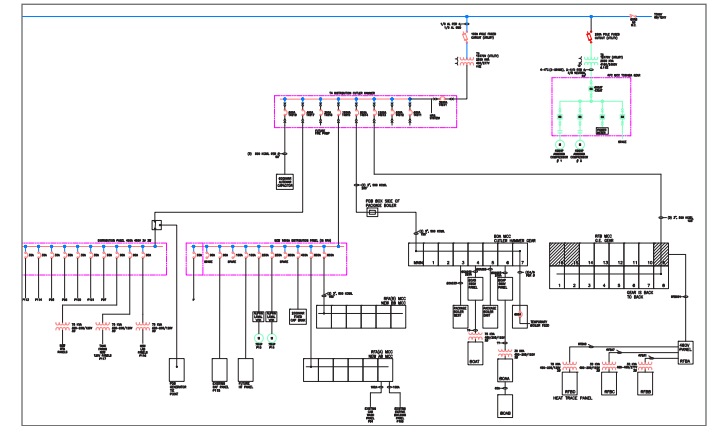
- Design Build Documents
- Design-Bid Build Documents
- Turnkey Design IFC Packages (PE Stamped)
- Project Phase Assembly — budget assistance for clients
- Facility Power Distribution One Lines
- Power Quality and Energy Management
- Backup Generator Design

Electrical Design Team

ESCO has a strong design team that works as an integral part throughout the company. Our electrical designers are experienced in various versions of AutoCAD and AutoCAD electrical software packages. With our designs your company will find the most practical solution for any system.

As part of ESCO Power & Safety, our designers develop:

- MCC Room Layout Drawings
- MCC Elevation Drawings/One Lines
- Cable Routing, Grounding, Lighting, Receptacle, Data, Etc.
- Facility Maps
- 3D Models



Electrical Safety Training

ESCO provides a cost-effective approach to all of your safety training and program development needs. Our lead safety trainer is a current principal member of the NFPA 70E Electrical Safety in the Workplace Committee, NECA's Codes and Standards Committee. ESCO also participates with the IEEE Electrical Safety Committee, guaranteeing our training programs are up to date and current with the latest technology and best practices.

Our safety team provides:

- Written Program Development — new or updated programs
- Comprehensive Facility and Jobsite Audits
- Client Compliance with OSHA and NFPA 70E Industry Standards
- Electrical Safety Training — at your site or at ESCO's headquarters, tailored to your facility's needs and best practices
- Lockout/Tagout Specific Procedures
- NFPA 70B Training
- Multimeter Fundamentals

Turning SOLUTIONS into Reality

ESCO Power & Safety is a member of ESCO Group, a versatile company that supplies services in plant automation, electrical construction, engineering, electrical design, and safety training. From consultation to turnkey projects, ESCO will generate effective solutions in the AEI (Automation, Electrical, Instrumentation) fields.



ESCO' Subject Matter Experts

Corporate Headquarters
3450 Third Street
P.O. Box 708
Marion, Iowa 52302
(319) 377-6655 phone
(319) 377-9532 fax

Des Moines, Iowa
(515) 263-8482 phone
(515) 263-2773 fax

Denver, Colorado
(303) 734-7144 phone
(720) 874-9709 fax

Omaha, Nebraska
(402) 979-8375 phone

St. Louis, Missouri
(636) 389-2199 phone

Minneapolis, Minnesota
(507) 403-2631 phone



Nikki Frake

Manager, Electrical Engineering
Marion, Iowa Office
NikkiFrake@theESCOTGroup.com



Randy Hummel

Manager, Arc Flash Hazard Analysis
Marion, Iowa Office
RandyHummel@theESCOTGroup.com



Mike Sampson

Manager, Field Services
Marion, Iowa Office
MikeSampson@theESCOTGroup.com



Jason Wolf, CSP, CESP

Manager, Safety Training
Marion, Iowa Office
JasonWolf@theESCOTGroup.com